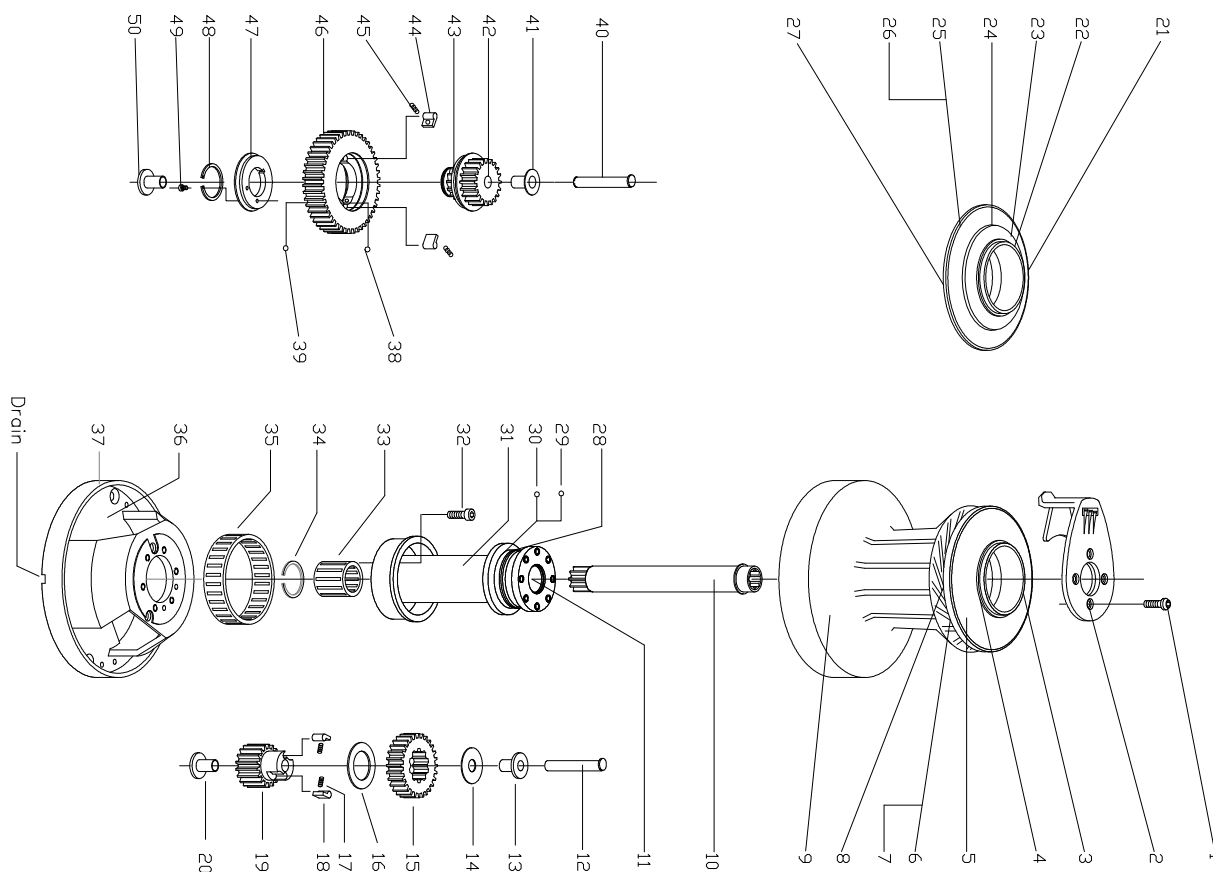


ANDERSEN Winch 58ST - 62ST
VERSION 1.0



SERVICE KIT 12

FOR WINCH 58ST – 62 ST

Part. No. 710012

The service kit consists:

QTY.	DECRPTION	PART. NO.
1	Screw M8X16	588800
1	Screw M8X16	DIN6912-A4-M8X16
1	Screw M8X16	ISO7380-A4-M8X16
1	Screw M8X16	DIN912-A4-M8X16
8	Spring	533500
4	Pawl	533400
2	Ball, Stainless steel	526301
2	Ball POM	566302
1	Retaining ring	524500
2	Bushing composite	525601
2	Bushing composite	525600
1	Circlip	590400U
1	Circlip	593400
2	Bushing	786600

Please unfold the this page to see the Complete Part Lists and Exploded Views for the winches.

Note! Variations can occur due to changes of the winch specifications.

Manufactured by:

Fr. Andersens Maskinfabrik A/S

DK – 7100 Vejle Denmark

www.andersenwinches.com

E-mail: info@andersenwinches.com



58ST/ - 62ST PARTS LIST

Version 1.3

POS.	QTY.	DESCRIPTION	ART. NO.
1.	4	Screw	ISO 7380-A4-M8×16
2.	1	Self-tailing arm 58ST	745500
2.	1	Self-tailing arm 62ST	745510
3	1	Consol for self-tailing 8-18mm., standard	525011
4.	1	Circlip	590400U
5.	1	Disc spring, standard	737000
6.	1	Driving plate, standard 8-18mm.	736105
7.	6	Screw M6, standard	585100
8.	1	Self-tailing top 8-18mm. Cpl., standard	540460
9.	1	Drum complete 8-18mm, standard	745350
9.	1	Drum complete 8-18mm, full stainless	745310
10.	1	Drive shaft cpl.	527800
11.	1	Bushing	716503
12.	1	Shaft	526800
13.	1	Bushing	525600
14.	1	Washer	524300
15.	1	Ratchet gear 58ST	524900
15.	1	Ratchet gear 62ST	529700
16.	1	Washer	526400
17.	2	Spring	533500
18.	2	Pawl	533400
19.	1	Pawl gear 58ST	524800
19.	1	Pawl gear 62ST	520300
20.	1	Bushing	525600
21.	1	Consol for self-tailing 8-18mm., full stainless	525011
22.	1	O-ring	RD100432
23.	1	Circlip	590400U
24.	1	Top ring, full stainless	521201
25.	1	Self-tailing top 8-18mm. Cpl., full stainless	540440
26.	6	Screw M6, full stainless	585100
27.	1	Driving plate, full stainless 8-18mm.	736121
28.	1	Retaining ring	524500
29.	14	Ball, stainless steel	526301
30.	15	Ball, POM	536302
31.	1	Upper base	742001
32.	6	Screw	DIN912-A4-M8X16
33.	1	Roller bearing cpl.	724100
34.	1	Circlip	724300
35.	1	Roller bearing cpl.	528601
36.	1	Lower base	745101
37.	1	Base cover, standard	745700
37.	1	Base cover, full stainless	745720
38.	35	Ball, stainless steel	724900
39.	35	Ball, stainless steel	724900
40.	1	Shaft	526800
41.	1	Bushing	525600
42.	1	Ratchet gear	524701
43.	1	Ball bearing ring	588400
44.	2	Pawl	533400
45.	2	Spring	533500
46.	1	Pawl gear	524601
47.	1	Ball bearing ring	588500
48.	1	Circlip	593400
49.	2	Screw	DIN84-A4-M4X5
50.	1	Bushing	525601