

MOUNTING INSTRUCTION WINCH 40, VER.1.2

1. Remove circlip (1), using a small sharp screw driver.
2. Remove drum (2).
3. Mark location of the bolt holes using the winch base (15) as a template.
4. Remove the winch base. Be sure that no dust comes into contact with the winch while drilling the bolt holes.
5. Drill the bolt holes $\varnothing 6.5\text{mm}$.
6. Clean the area.
7. Apply a light coat of bedding compound, ensuring that each hole is bedded. Drain grooves should be kept clear.
8. Fasten the winch base into place using 5 pcs M6 countersunk head screws.
9. Assemble in reverse order
10. Check that the winch is functioning correctly.

SERVICE INSTRUCTION WINCH 40, VER.1.2

Maintenance interval 1-2 years, depending on operating conditions.

1. Remove circlip (1).
2. Remove drum (2).
3. Remove the black plastic circlip (8).
4. Remove drive shaft (6).
5. Remove roller bearings (7,9).
6. Remove gear shaft (10) using a standard screwdriver
7. Remove & dismantle the gear unit (11,12,13,14)
8. Clean all moving parts with benzine.
9. Check pawls & springs for wear and replace if necessary. In order to replace the upper pawls (4) or springs (5), the gliding washer (3) must be removed.
10. Reassemble the winch in reverse order, lightly greasing all moving parts, with a soft, small brush. We strongly recommend to use only ANDERSEN Winch Grease for this purpose*
11. Check that the winch is functioning correctly.

**) Most types of grease, including "marine grease" are NOT suitable for lubrication of winches. None suitable grease can cause mechanical malfunction. Malfunctioning pawls may lead to unexpected failure of a loaded winch, resulting in material damage or fatal personal injury.*

Service Kit No. 4 (part no. 710004) contains service parts for this winch.

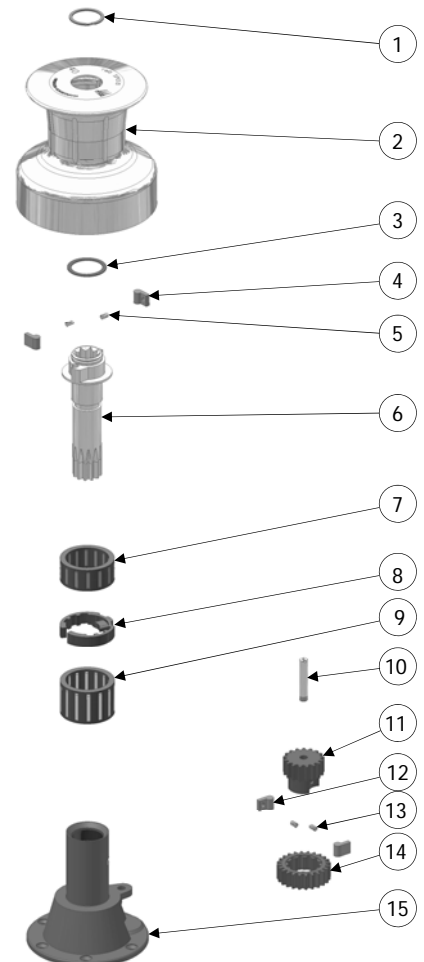
PARTS LIST WINCH 40, VER.1.2

POS	QTY	DESCRIPTION	PART NO.
1	1	CIRCLIP	712800
2	1	DRUM	716600
3	1	GLIDING WASHER	718400
4	2	PAWL	533400
5	2	PAWL SPRING	533500
6	1	DRIVE SHAFT, COMPLETE	717100
7	1	ROLLER BEARING	712905
8	1	CIRCLIP	716001
9	1	ROLLER BEARING	712903
10	1	GEAR SHAFT	717300
11	1	PAWL GEAR	717200
12	2	PAWL	533400
13	2	PAWL SPRING	533500
14	1	RATCHET GEAR	711701
15	1	WINCH BASE	733300

LIMITED WARRANTY

- 1.1 ANDERSEN issues a three-year warranty on all their products covering manufacturing and material defects on condition that the products are used in normal fashion. The warranty shall apply for three years from the moment ANDERSEN sell the product concerned (to the first buyer).
 - 1.2 Within the period of the warranty, and in accordance with the terms of the warranty, ANDERSEN undertake to replace or repair all defective components, which have been used in normal fashion.
 - 1.3 The warranty is however subject to the limitations and exceptions outlined below.
- Conditions and limitations:**
- 2.1 ANDERSEN's liability shall be limited to repair or replacement of components, which are defective owing to manufacturing or material defects.
 - 2.2 ANDERSEN assume no other liability than this, not even liability for indirect losses caused by defect concerned, including operating losses, loss of profits, or damage caused to real property or moveable property occurring while the product concerned is in the possession of the Buyer.
 - 2.3 The Buyer alone shall bear the responsibility and risk involved as to whether the products are suitable for the application intended. ANDERSEN assume no liability in this connection.
 - 2.4 ANDERSEN assume no liability for defects which occur due to use of their products for purposes for which they are not intended, or for defects which occur owing to incorrect installation, corrosion, ultraviolet degradation, lack of maintenance, or any alteration or repair of the product carried out incorrectly by the Buyer. Finally, ANDERSEN assume no liability for normal wear and tear, or for depreciation in value.
 - 2.5 ANDERSEN do not assume any liability for service carried out by anyone other than authorised ANDERSEN representatives, unless such service is carried out pursuant to guidelines laid down by ANDERSEN and in accordance with good craftsmanship.
 - 2.6 The buyer shall inform ANDERSEN in writing of any defects with no undue delay once defects have been registered. Products being dealt with under the warranty shall be returned to ANDERSEN for repair unless any other agreement has been reached in writing.
 - 2.7 ANDERSEN shall not cover costs incurred by the Buyer in connection with the transport or wages involved in a warranty case. The Buyer in full shall meet such costs.
- Exceptions:**
- 3.1 The warranty is only valid for one year in respect of components bought for the products concerned, such as electric motors, electric equipment, hydraulic pumps, motors and valves.
 - 3.2 ANDERSEN assume no liability for consequential damage of ships, equipment, property or people caused by defects in ANDERSEN products.
 - 3.3 The company's products are subject to continuous development, and consequently ANDERSEN reserve the right to change designs and specifications without prior notice.

EXPLODED VIEW WINCH 40, VER.1.2



WORLD WIDE DISTRIBUTION & SERVICE

(FOR UPDATED DISTRIBUTOR LIST, PLEASE SEE WWW.ANDERSENWINCHES.COM)

ANDERSEN Argentina
Argen Mast & Systems s.r.l.
Av. Tiscornia 963
(1642) San Isidro
Buenos Aires
Tel.: 11 4742 44 62
Fax: 11 4742 44 62
E-mail: info@agenmast.com.ar
or rianzani@agenmast.com.ar

ANDERSEN Australia
Allyacht Spars Australia
1853 Lytton Rd., Lytton
Queensland
Australia 4178
Tel.: 07 3893 2233
Fax: 07 3893 2478
E-mail: info@allyachtspars.com.au
Web: www.allyachtspars.com.au

ANDERSEN Austria
Robert Lindemann KG
Wendenstrasse 455
D-20537 Hamburg
Tel.: 040 21 11 97 30
Fax: 040 21 11 97 30
E-mail: info@lindemann-kg.de
Web: www.lindemann-kg.de

ANDERSEN Belgium
Jupiter Handelsmijl. BVBA
Kontichsesteenweg 67
B-2630 Kaartseleer
Tel.: 03 457 43 81
Fax: 03 457 68 21
E-mail: info@jachtenjupiter.com
Web: www.jachtenjupiter.com

ANDERSEN Canada
Rekord Marine Enterprises Ltd
8194 Ontario Street
Vancouver, B.C., V5X 3E3
Tel.: 604 325 5233
Fax: 604 325 0326
Toll free fax: 1-800-663-6424
E-mail: steve@rekord-marine.com
Web: www.rekord-marine.com

ANDERSEN Croatia
Naveia
Castropola 54
HR-52100 Pula
Croatia
Tel.: 052 214 542
Fax: 052 213 558
E-mail: naveia@pu.t-com.hr
Web: www.naveia.hr

ANDERSEN Czech Republic
Nereide Yachting Ltd.
Vybralova 972/70
CZ-19800 Prague 9
Tel.: 605 25 98 82
Fax: 257 94 17 84
E-mail: office@nereide-yachting.com
Web: www.nereide-yachting.com

ANDERSEN Denmark
WATSKI A/S
Savsvinget 4
DK-2970 Hørsholm
Tel.: 45 76 40 11
Fax: 45 76 40 12
E-mail: kontaktdk@watski.com
Web: www.watski.dk

ANDERSEN Finland
Ky Jotiko-Marine Kb
Unioninkatu 45
SF-00170 Helsinki
Tel.: 500 490239
Fax: 09 1351404
E-mail: info@jotiko-marine.com
Web: www.jotiko-marine.com

ANDERSEN France
Greement Import – Head office:
13 rue du Chêne Lassé
Z.I. BP 284
44803 Saint Herblain
Tel.: 02 28 03 01 01
Fax: 02 28 03 19 91
E-mail: info@greementimport.fr
Web: www.greementimport.fr

ANDERSEN Germany
Herman Gotthardt GmbH
Leunastrasse 50
D-22761 Hamburg
Tel.: 040 851 50 50
Fax: 040 850 91 33
E-mail: info@gotthardt-yacht.de
Web: www.gotthardt-yacht.de

ANDERSEN Great Britain
IMIP
15 Jarman Way
Royston
Hertfordshire SG8 5HW
Tel.: 01 763 241 300
Fax: 01 763 241 770
E-mail: sales@improducts.co.uk
Web: www.improducts.co.uk

ANDERSEN Greece
Meltemi Yachting Ltd.
4, Metamorfoseos st Alimos
GR-17455 Athens
Tel.: 210 9849883
Fax: 210 9844356
E-mail: info@meltemi-yachting.gr
Web: www.meltemi-yachting.gr

ANDERSEN Hungary
Marina Yacht Sport
Cserhát u. 3., H-1078 Budapest
Tel.: 322 86 55
Fax: 322 9834
E-mail: iroda@marina.hu
Web: www.marina.hu

ANDERSEN Italy
TOMASONI TOPSAIL S.p.A.
Via E. Toti 55
16035 Rapallo (GE)
Tel.: 0185 2001
Fax.: 0185 263 160
E-mail: andrea@tomasoni.com
Web.: www.tomasoni.com/tecnico

ANDERSEN Netherlands
Nautec Engineering B.V.
Muyterweg 17
6075 AM Herkenbosch
Tel.: 0475 537760
Fax: 0475 537759
E-mail: info@nautec.nl
Web: www.nautec.nl

ANDERSEN New Zealand
Nordic Marketing Ltd.
P.O. Box 100669
NSMC Auckland
Tel.: 09 368 4740
Fax: 09 368 4741
E-mail: nordic@xtra.co.nz
Web: www.nordic.co.nz

ANDERSEN Norway
Navimo Nordic AB/- at Termomarin A/S
Fokserodveien 31
N-3241 Sandefjord
Tel.: 33 42 00 90
Fax: 33 42 00 91
E-mail: post@termomarin.no
Web: www.termomarin.no

ANDERSEN Poland
Sail Service
ul.Sienna 45
80-605 Gdansk
Tel.: 58 307 37 85
Fax: 58 307 09 24
E-mail: office@sailservice.com.pl
Web: www.sailservice.com.pl

ANDERSEN Portugal
Just Boats
CX 248 P. Monte Alquevinho
Sta Caterina de Fonta do Bispo
Tel.: 281 971 179
Fax: 289 994 485
E-mail: info@just-boats.net
Web: www.just-boats.net

ANDERSEN Singapore
Alquest Marketing
66, Tannery Lane
#02-06B Sindo Building
Singapore 347605
Tel.: 6749 9359
Fax.: 6749 9360
E-mail: jason@alquest.com.sg
Web.: www.alquest.com.sg

ANDERSEN Slovenia
Tramontana
Tesovnikova 88
1000 Ljubljana
Tel.: 1 568 37 32
Fax: 1 565 48 88
E-mail: info@tramontana-net.si
Web: www.tramontana-net.si

ANDERSEN South Africa
Manex & Power Marine
5 Industry Street
P.O. Box 173
Paarden Eiland 7420 Cape Town
Tel.: 021 511 7292
Fax: 021 510 1487
E-mail: manex@manex.co.za
Web: www.manex.co.za

ANDERSEN Spain/Mallorca
Yacht Riggers Mallorca, s.l.
Passia República Argentina, 34 bajos
E-07200 FELANITX (Mallorca)
Tel.: 971 58 41 30
Fax: 971 58 41 31
E-mail: info@yachtriggers.com
Web: www.yachtriggers.com

ANDERSEN Spain/Barcelona
Pertechos Nauticos s.l.
Buscarons, 6 bj, local 2
08022 Barcelona
Tel.: 93 418 66 32
Fax: 93 418 56 48
E-mail: info@pertechosnauticos.com
Web: www.pertechosnauticos.com

ANDERSEN Sweden
Navimo Nordic AB
Lundenvägen 2
S-473 31 Henån
Tel.: 0304 360 60
Fax: 0304 307 43
E-mail: info@navimo.se
Web: www.navimo.se

ANDERSEN Switzerland
Robert Lindemann KG
Wendenstrasse 455
D-20537 Hamburg
Tel.: 040 21 11 97 30
Fax: 040 21 11 97 30
E-mail: info@lindemann-kg.de
Web: www.lindemann-kg.de

ANDERSEN Trinidad & Tobago
Soca Sails
Crewsinn Marina, Chaguaramas
P.O. Box 608
Trinidad, West Indies
Tel.: 868 634-4178
Fax: 868 634-1044
E-mail: info@socasails.com

ANDERSEN Turkey
Enigma Yacht Supply & Services Ltd.
Istanbul Deri ve End serbest Bölgesi
Hasan Yelmen Cad no.: 12
34957 Tuzla: Istanbul
Tel.: 216 394 21 44
Fax: 216 394 22 19
E-mail: info@enigmayachts.com
Web: www.enigmayachts.com

ANDERSEN U.S.A.
Scandvik Inc.
423 4th place SW
Vero Beach
Florida 32962
Tel.: 772 567 2877
Fax: 772 567 9113
Toll Free 1-800-535-6009
E-mail: info@scandvik.com
Web: www.scandvik.com

Manufactured by:

ANDERSEN Winches
DK-7100 Vejle

DENMARK

www.andersenwinches.com

E-mail: info@andersenwinches.com

Manual

WINCH 40

ver. 1.2

