



## ANDERSEN Joystick Controllers<sup>®</sup>

### Efficient solutions for individuals

ANDERSEN Winches<sup>®</sup> represent 40 years of tradition and know-how in developing, designing and manufacturing stainless steel winches. Our 6000 square meter production facility in Denmark is equipped with the very latest in production technology and our more than 70 dedicated employees produce more than 100 different winch models. ANDERSEN Winches<sup>®</sup> are marketed in more than 40 countries world wide and serviced all over the world. ANDERSEN Winches<sup>®</sup> are design awarded with the prestigious Danish Industrial Design Award and have won their merit through presence on "Around the world race" yachts as well as "Blue Water Cruising" yachts. All ANDERSEN Winches<sup>®</sup> are expanding the sailing experience and pleasure for individuals.



# ANDERSEN Joystick Controllers®

## Features and Facts

### ANDERSEN JS Classic®

The ANDERSEN Classic Joystick is based on the renowned and reliable Sauer Danfoss technology.

#### Features

- Non-contact Hall sensor design
- Long life – Tested to 15 million cycles
- Compact footprint
- Multi purpose variable joystick
- Stepless proportional control

#### Innovative Design

The specially designed handle grip and base plate are made of high polished AISI 316L stainless steel.

The Joystick uses a patented spherical magnetic ball and non-contacting Hall sensors to detect and transmit handle position. This electronic design yields a linear relationship between handle position and signal output.

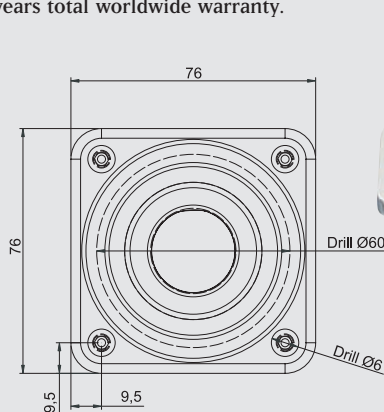
#### High reliability

The robust design, including metal construction, high EMI tolerance, and resistance to high pressure wash-down ensures trouble free performance in mobile application. Low part count minimizes points of potential failure.

#### Specifications

- Supply voltage: 5.0 Vdc
- Output: Nominal 0.5 to 4.5 Vdc with 2.5 Vdc in neutral
- Current consumption: 20 mA
- Operating temperature: -40°C to +70°C
- Moisture: IP 65 above panel
- EMI/RFI 100 V/m
- Connection: 7 pin Molex series latching male

**Warranty** ANDERSEN Joystick® units are provided with a 3 years total worldwide warranty.



All measurements in mm

### ANDERSEN JS Igloo®

The ANDERSEN Igloo Joystick is based on the legendary and reliable Penny & Giles technology.

#### Features

- Ergonomic design
- Long operating life
- Sealed to IP66
- Choice of output voltage ranges
- Multi purpose variable joystick
- Stepless proportional control

#### Innovative Design

Developed for applications where ergonomics and system integrity are paramount, the Igloo joystick is a minimum width, low profile joystick that provides smooth, precise fingertip control in one axis. The low profile lever makes it less exposed to unintentional operation.

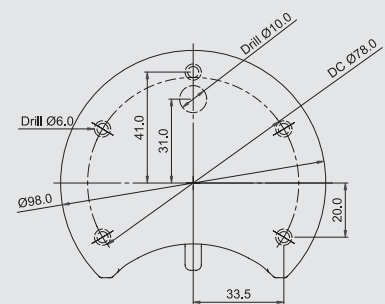
The specially designed joystick housing is made of high polished AISI 316L stainless steel.

The Igloo joystick is sealed to IP 66 enabling it to operate under extreme conditions.

#### Specifications

- Supply voltage: < 35 Vdc
- Output: 10% to 90% Vs
- Centre tap voltage: 50% Vs ±2%
- Wiper current: Max. 5 mA
- Load current: Max. 2 mA
- Operating temperature: -25°C to +70°C
- Moisture: IP 66 above panel
- Connection: 7 pin Molex series latching male

**Warranty** ANDERSEN Joystick® units are provided with a 3 years total worldwide warranty.



All measurements in mm